

Electronics - 5972 - cables

The printed circuit boards in the MSD are available only as complete assemblies. Individual electronic components are not available. This section contains the following parts: cables, fuses, printed circuit boards (electronic assemblies).

Table 10

Internal cables

Description	HP part number
Accessory connector cable (main board to accessory connector)	05972-60437
Analyzer cable kit (all wiring inside the vacuum manifold)	05972-60230
high voltage/x-ray wire	05972-60016
ion source cable (printed circuit board and wiring for ion source)	05972-60015
APG connector cable (HP-IB/MS control card to APG connector)	05972-60438
Coupler (for status display cables)	1252-5255
Diffusion pump control cable (power distribution board to main board)	G1800-60422
Diffusion pump extender cable (power distribution board to back panel)	05972-60423
Diffusion pump power cable (includes thermal switches)	05972-60401
Filament cable (top board to main board, twisted pair)	05971-60412
Foreline gauge cable	05971-60413
GC to GC interface (GC interface heater/sensor assembly)	
HP 5972A MSD	05971-60105
HP 6890 Series MSD	05972-60106
HP-IB connector cable (from HP-IB/MS control card to HP-IB connector)	05971-60417
Power supply cables	
ac input (power supply to power distribution board)	05972-60426
dc output (power supply to main board)	05972-60427
Ribbon cable (top board to main board)	05971-60411
Signal cable (top board to main board)	05971-60416
Status display cable	
long (coupler to HP-IB/MS control card)	05972-60435
short (status display to coupler)	05972-60436

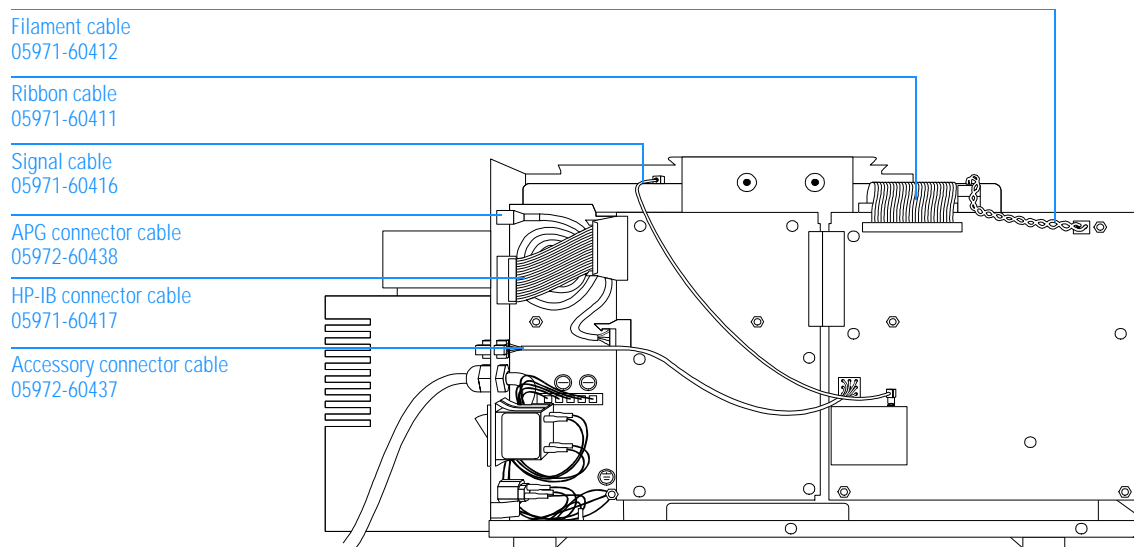


Table 11

External cables

Description	HP part number
Gauge controller cable (triode gauge tube to gauge controller)	8120-6573
HP-IB cable, 1-meter	8120-4654
IRD external accessory control cable (used in GC/IRD/MSD systems – HP 5890 GC only)	05971-60429
Parallel/remote cable (HP 5890 GC only)	05990-60019
Remote control cable	
HP 5972A MSD to HP 5890 GC	35900-60700
HP 6890 Series MSD to HP 6890 Series GC	G1530-60930
General purpose (one end without connector, HP 5890 GC to ?)	05890-61080